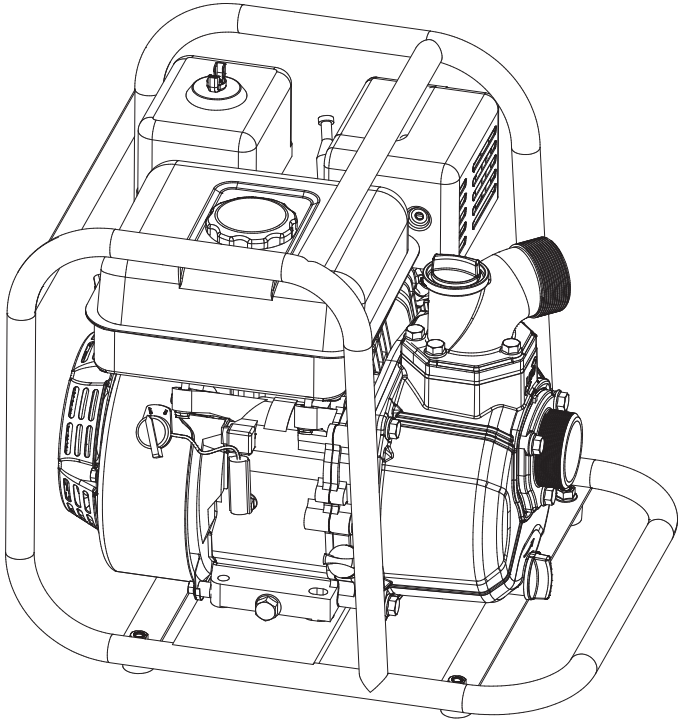


EN 196 cm³ Water Pump



EN ORIGINAL INSTRUCTIONS

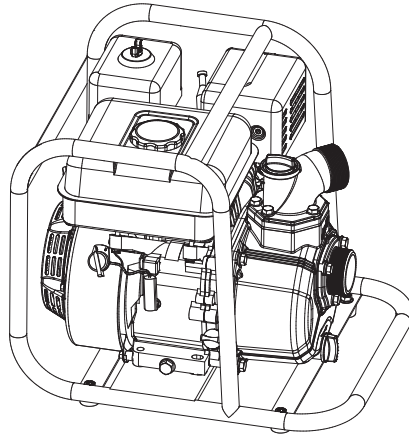
IMPORTANT - These instructions are for your safety. Please read through them thoroughly prior to handling the product and retain them for future reference.



V10923_5063022023292_MAND1_2223

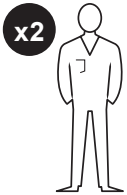
TT196PWP
5063022023292

EN Parts



01. x1

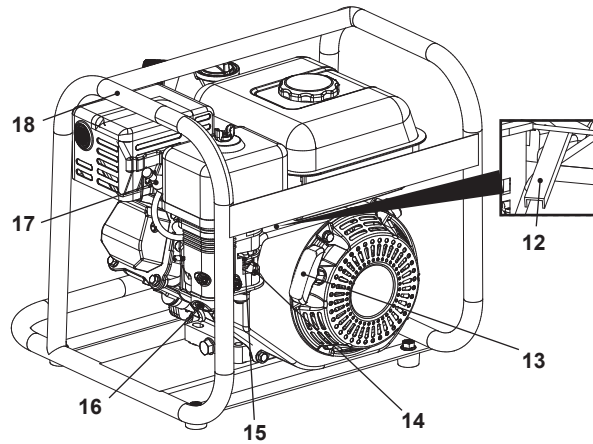
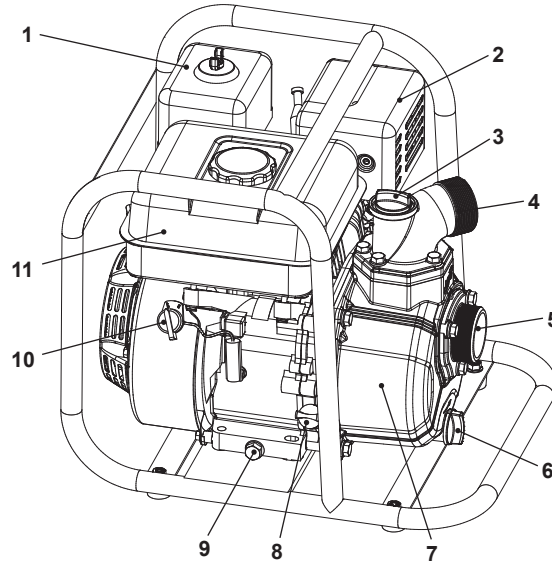
EN You will need

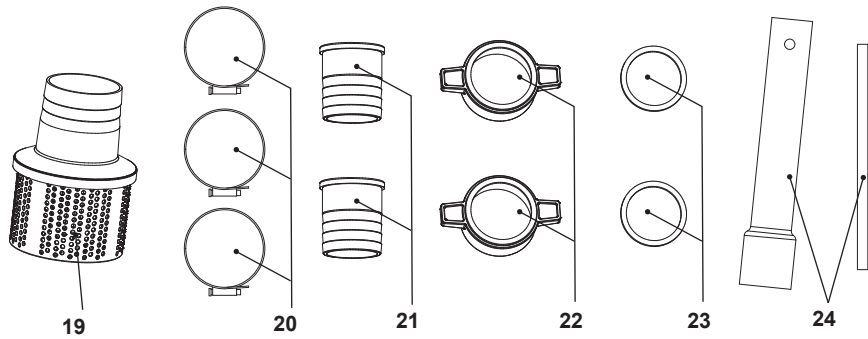


EN Parts

EN	
Product description	3
Safety	5
Technical specifications	12
Before you start	13
Use	18
Functions & Settings	20
Operation	22
Care and maintenance	24
Guarantee	31

EN Product description





- EN**
1. Air filter case
 2. Muffler
 3. Filling plug
 4. Outlet
 5. Inlet
 6. Water drain plug
 7. Pump head
 8. Engine oil dipstick
 9. Engine oil drain screw
 10. Ignition switch
 11. Fuel tank
 12. Throttle lever
 13. Recoil starter handle
 14. Fuel lever
 15. Choke lever
 16. Carburettor
 17. Spark plug connector
 18. Frame
 19. Strainer
 20. Clamp (X3)
 21. Connector (X2)
 22. Connector wrench (X2)
 23. Seal ring (X2)
 24. Spark plug wrench



Safety warnings

- Product shall not be used by children. Children should be supervised to ensure that they do not play with the product.
- This product is not designed to be used by people with reduced physical, sensory or mental capabilities or lack of experience and knowledge, except if they have been given supervision or instruction concerning the use of the product in a safe way and understand the hazards involved.



IMPORTANT

READ CAREFULLY BEFORE USE. KEEP FOR FUTURE REFERENCE.

Pump safety warnings

- Prevent access of children with appropriate measures.
- Do not use when people are in the water.
- Do not operate the pump without water.
- Make sure that no marine animals (e.g. fish) are extracted by the product.
- Avoid circulation of aggressive fluids or abrasive materials.
- Check and clean the outlet and the inlet of the pump when needed.
- The product is designed for clear water with a diameter of suspended impurities not exceeding 5 mm.
- The product should be used for pumping water temperature below 35°C.

Training

- Read the instructions carefully. Be familiar with the controls and the proper use of the product.
- Never allow children or people unfamiliar with these instructions to use the product. Local regulations can restrict the age of the operator.
- The product may only be operated by suitably trained persons.
- Keep in mind that the operator or user is responsible for accidents or hazards occurring to other people or their property.

Preparation

- Always wear substantial footwear while working. Do not operate the product when barefoot or wearing open sandals.



WARNING - Petrol is highly flammable.

- Store fuel in containers specifically designed for this purpose.
- Refuel outdoors only and do not smoke while refueling.
- Add fuel before starting the engine. Never remove the cap of the fuel tank or add petrol while the engine is running or when the engine is hot.
- If petrol is spilled, do not attempt to start the engine but move the product away from the area of spillage and avoid creating any source of ignition until petrol vapours have dissipated.

Operation

- Do not operate the engine in a confined space where dangerous carbon monoxide fumes can collect.
- Work only in daylight or in good artificial light.
- Always be sure of your footing.
- Do not change the engine settings or overspeed the engine.
- Start the engine carefully according to manufacturer instructions.

- Never pick up or carry a product while the engine is running.
- Stop the engine:
 - whenever you leave the product,
 - before refuelling.
- Reduce the throttle setting during engine shut down and, if the engine is provided with a fuel lever, turn off the lever at the conclusion of working.
- Never carelessly touch the product, you can burn yourself. While the product is in operation or shortly thereafter, its parts such as the exhaust pipe, engine, and other surfaces are extremely hot! Pay attention to the markings on the product.

Maintenance and storage

- Follow the maintenance and repair instructions for this product. Never carry out any modifications of the product. Never change the pre-set rotary speed or the engine and product settings. Information about maintenance and repair is provided in this user manual.
- Keep all nuts, bolts and screws tight to ensure the product is in safe working condition.
- Never store the product with petrol in the tank inside a building where fumes can reach an open flame or spark.
- Allow the engine to cool before storing in any enclosure.
- Keep the engine, muffler and petrol storage area free of vegetative material and excessive grease to reduce the fire hazard.
- Replace worn or damaged parts for safety.
- Drain the fuel tank outdoors.
- Make sure that the air intake of the combustion engine is clear. Keep the air intake free of dust, dirt particles, gases and fumes.
- Make sure that air circulation is adequate and good. The product must be easily accessible from all sides.
- The appropriate carriage must be used when assembly, dismantling and any other action involving the product, so that the product and its components must be stable enough to avoid overturning, falling or uncontrolled movements.

Fuel handling

- Always switch the product off and let it cool down, before refuelling it. Petrol is highly flammable. Never smoke when you are refuelling the product. Do not refuel the product, if there is an open fire in the vicinity!
- Always use suitable aids such as funnels and filler necks. Do not spill any fuel on the product or its exhaust system. There is a risk of ignition. However, if fuel should be spilled, then you must remove it carefully from all parts of the product. Any residue which may be present must be completely removed, before the product is operated!
- Exhaust gases and fuel fumes are noxious. Fuel fumes can ignite. Never use the product in environments where there is a risk of explosion.
- Never breathe in any fuel fumes, when you are refuelling the product. Never fill the tank in enclosed spaces, such as basements or sheds. There is a risk of poisoning and explosion!
- Avoid skin contact with petrol.
- Do not eat or drink, while you are refuelling the product. If you have swallowed petrol or oil, or if petrol or oil has got into your eyes, then seek medical advice immediately.
- Close the tank lid immediately after filling the tank. Make sure that it is properly closed.
- Never use the product without an air filter.
- Use caution when handling fuel. To avoid any accidental fires, move the product at least 3 metres (10') from the fuelling point before starting the engine.

Vibration and noise reduction

To reduce the impact of noise and vibration emission, limit the time of operation, use low-vibration and low-noise operating modes as well as wear personal protective equipment.

Take the following points into account to minimise the vibration and noise exposure risks:

- Only use the product as intended by its design and these instructions.
- Ensure that the product is in good condition and well maintained.
- Use correct accessories for the product and ensure they are in good condition.
- Keep tight grip on the handle / gripping surfaces.
- Maintain this product in accordance with these instructions and keep it well lubricated (where appropriate).
- Plan your work schedule to spread any high vibration tool use across a longer period of time.

Emergency

Familiarise yourself with the use of this product by means of this instruction manual. Memorise the safety directions and follow them to the letter. This will help to prevent risks and hazards.

- **Always be alert when using this product, so that you can recognise and handle risks early.** Fast intervention can prevent serious injury and damage to property.
- **Stop the engine and disconnect the spark plug connector if there are malfunctions.** Have the product checked by a qualified professional and repaired, if necessary, before you operate it again.
- **In case of fire, stop the engine and disconnect the spark plug connector.** Take fire-extinguishing measures immediately if the product switch is no longer accessible.



WARNING! Never use water to extinguish a product on fire. Burning fuel must be extinguished with special extinguishing agents! We recommend that you keep a suitable fire extinguisher within reach in your work area!

















Residual risks

Even if you are operating this product in accordance with all the safety requirements, potential risks of injury and damage remain. The following dangers can arise in connection with the structure and design of this product:

- Health defects resulting from vibration emission if the product is being used over long periods of time or not adequately managed and properly maintained.
- Danger of injury and property damage caused by flying objects.
- Burns, if touching hot surfaces.

Symbols

On the product, the rating label and within these instructions you will find among others the following symbols and abbreviations. Familiarise yourself with them to reduce hazards like personal injuries and damage to property.

kW	Kilowatt	m ³ /h	Cubic meter per hour
cm ³	Cubic centimetre	mm	Millimetre
Min ⁻¹	Per minute	kg	Kilogram
M	Metre	dB(A)	Decibel (A-rated)
°C	Degree Celsius		
	Lock / to tighten or secure.		Unlock / to loosen.
	Note / Remark.		Caution / Warning.
	Read the instruction manual.		Wear hearing protection.
	Wear eye protection.		Wear respiratory protection.
	Wear protective gloves.		Wear protective, slip-resistant footwear.
yyWxx	Manufacturing date code; year of manufacturing (20yy) and week of manufacturing (Wxx).		
	Do not expose the product to rain.		
	Hot surface, do not touch! High temperatures on the product's surfaces and structural parts that could cause burns, if they are touched. The product can also stay hot for a longer period of time after operation!		
			
	Max. particle size.		
	Max. flow rate.		
	Max. lifting height.		



Max. suction height.



Objects can be flung and hit the user or persons nearby. Other persons and animals must keep away from the appliance when it is in use. Children must not under any circumstances be permitted near the work area.



Indoor use of the product is not permitted.



Choke: move left to close (cold start), move right to open (warm start).



Fuel lever: move right to open the fuel channel



High engine speed



Low engine speed



WEEE symbol. Waste electrical products should not be disposed of with household waste. Please recycle where facilities exist. Check with your Local Authority or local store for recycling advice.



The product complies with the applicable European directives and an evaluation method of conformity for these directives was done.



This product complies with conformity requirements of the applicable UK Regulations.

EN Technical specifications

General

> Engine model	:	G200
> Engine type	:	4-stroke, single cylinder, air cooled
> Engine displacement	:	196 cm ³
> Nominal engine speed	:	3600 min ⁻¹
> Nominal rated power	:	3.7 kW
> Fuel tank volume	:	2800 ml (cm ³)
> Fuel type	:	95# unleaded
> Engine oil tank volume	:	550 ml (cm ³)
> Engine oil type	:	4-stroke engine oil (e.g. SAE10W-30)
> Flow rate	:	max. 30 m ³ /h *
> Suction height	:	max. 7 m *
> Lifting height	:	max. 30 m *

- > **Water temperature** : max. 40 °C
- > **Max. particle size** : max. 5 mm
- > **Inlet/Outlet connector diameter** : 50 mm
- > **Spark plug gap** : 0.5 - 0.7 mm 
- > **Weight** : approx. 21.5 kg

Noise level

- > **Sound pressure level L_{pA}**
(at the operator's position) : 88.7 dB(A)
- > **Uncertainty K_{pA}** : 2.39 dB(A)
- > **Sound power level L_{WA}** : 106 dB(A)
- > **Uncertainty K_{WA}** : 2.39 dB(A)

The sound values have been determined according to DIRECTIVE 2000/14/EC AMENDED by 2005/88/EC, using the basic standards EN ISO 3774:1995.

The sound intensity level for the operator may exceed 80 dB(A) and ear protection measures are necessary.

*The Max. flow rate depends on lengths of the hoses, suction height, lifting height and engine speed etc. Reduce suction height by placing the pump closer to water surface can provide shorter suction time and bigger flow rate. As lifting height increases, flow rate decreases.

EN Before you start

Unpacking

- Unpack all parts and lay them on a flat, stable surface.
- Remove all packing materials and shipping devices, if applicable.
- Make sure the delivery contents are complete and free of any damage. If you find that parts are missing or damaged do not use the product and contact your dealer. Using an incomplete or damaged product represents a hazard to people and property.
- Ensure all the accessories and tools needed for assembly and operation are at your disposal, including suitable personal protective equipment.



WARNING! The product and the packaging are not children's toys! Keep plastics bags, sheets and small parts away from children. There is a danger of choking and suffocation!

You will need

(Items not supplied)

Suitable personal protective equipment
Water hose
Fuel/oil funnel with filter
Suitable engine oil (SAE10W-30)
Suitable fuel (unleaded petrol)
Fuel collecting container
Oil collecting container
Lubrication oil/grease
Flat screwdriver

(Items supplied)

Strainer (19)
Clamp (20)
Connector (21)
Connector wrench (22)
Seal ring (23)
Spark plug wrench (24)

Assembly



WARNING! The product must be fully assembled before operation! Do not use a product that is only partly assembled or assembled with damaged parts! Follow the assembly instructions step-by-step and use the pictures provided as a visual guide to easily assemble the product! Disconnect the spark plug connector (17) from the spark plug! Reconnect it after assembly.



NOTE: Take care of small parts that are removed during assembly or when making adjustments. Keep them secure to avoid loss.

Discharge hose

- Attach the clamp (20) on the discharge hose (25) (not provided). Do not fix the clamp at this step (Fig. 1, step 1).
- Attach the connector (21) on the connector wrench (22) (step 2).
- Insert the connector into the discharge hose. Tighten the clamp screw to secure the discharge pipe (step 3).
- Attach the seal ring (23) on the connector. Align the connector wrench to the outlet (4). Turn the connector wrench clockwise to secure the discharge hose to the outlet (step 4).
- Ensure that all connections are properly tightened to avoid leakage or drawing air in. It is essential that all connections and hoses are completely airtight for the system to work.
- The direction of the outlet is adjustable. Loosen and remove the screws (4a), set the outlet direction as required and tighten the screws afterwards. Ensure the seal (4b) is fixed properly.

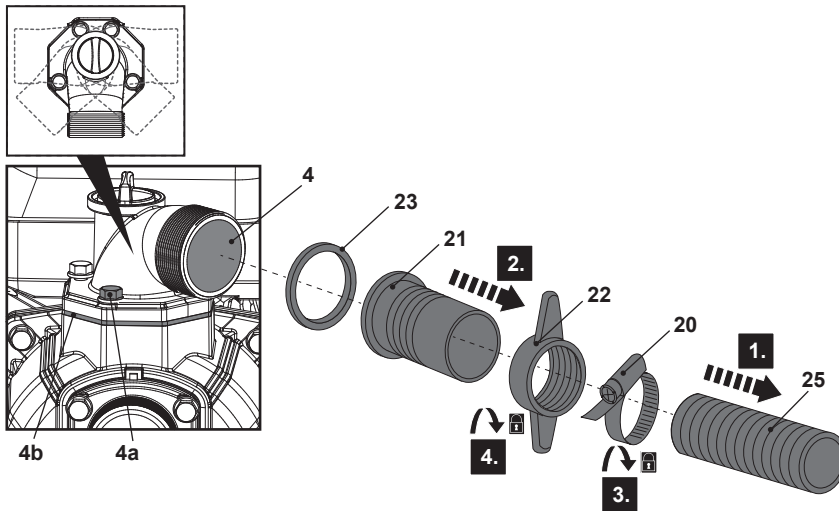


Fig. 1

Suction hose

- Attach the clamp (20) on the suction hose (25) (not provided). Do not fix the clamp at this step (Fig. 2, step 1).
- Attach the connector (21) on the connector wrench (22) (step 2).
- Insert the connector into the suction hose. Tighten the clamp screw to secure the suction hose (step 3).
- Attach the seal ring (23) on the connector. Align the connector wrench to the inlet (5). Turn the connector wrench clockwise to secure the suction hose to the inlet (step 4).

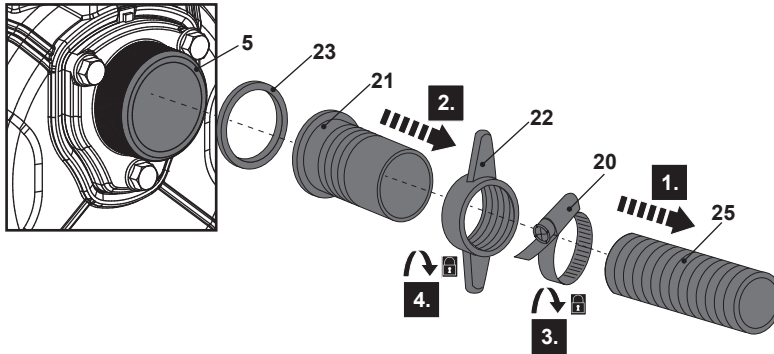


Fig. 2

- Attach the clamp (20) on the other side of the suction hose (25) (not provided). Do not fix the clamp at this step (Fig. 3, step 1).
- Insert the strainer connector (19a) into the suction hose. Tighten the clamp screw to secure the suction hose (step 2).



NOTE: Always connect the strainer during operation. The strainer prevents foreign materials from entering the pump system and protects the pump from blockage and component damage.

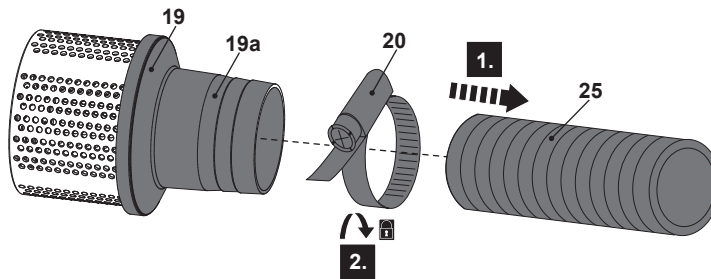


Fig. 3

- Ensure that all connections are properly tightened to avoid leakage or drawing air in. It is essential that all connections and hoses are completely airtight for the system to work.
- Lower the suction hose into the water. Secure the hose to avoid tension on the inlet nozzle, if necessary.



NOTE: Ensure the strainer sinks into the water properly.

Priming the pump

This product must be filled with priming water before operation. The pump is self-priming only when the pump head is filled with water.

- Place the product on a stable, level surface.
- Remove the filling plug (3) from the top of the pump (Fig. 4).
- Lift and hold the discharge hose (not provide) at least 80 cm vertically above the pump.
- Fill the pump head (7) with water until it overflows. Do not leave any air gap.
- Refit the filling plug clockwise and tighten it properly.

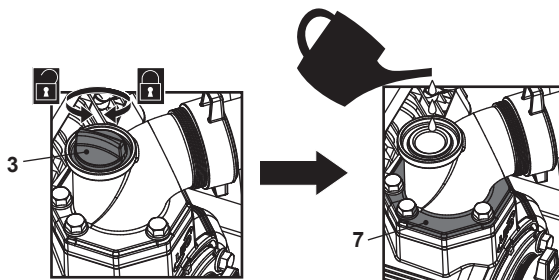


Fig. 4



WARNING! Always fill the priming water before use. Never allow the pump to run “dry”. Dry running will damage the mechanical seal quickly.

Fuel and engine oil

This product is equipped with a 4-stroke engine. Before operation it is necessary to add proper fuel and engine oil separately.

- Place the product on a stable, level surface.
- Use proper funnels. Avoid splinting and overfilling the tanks.



WARNING! Fuel and oil are highly inflammable! Fumes will explode if lit! Ensure that there are no naked flames around the product! Do not smoke while filling fuel and oil!



- Always dispose of fuel, used oil and objects contaminated with them in accordance with local regulations.

Fuel



NOTE: This product is not supplied with fuel! Before operating this product it is essential to fill it with fuel! Fill fuel and engine oil separately. Never mix oil with petrol!

- Always use clean, fresh unleaded petrol. Purchase fuel in quantities that can be used within 30 days.
- Never mix engine oil with petrol. Avoid getting dirt, dust or water in the fuel tank.
- Unscrew and remove the fuel tank cap (11a) (Fig. 5).
- Do not overfill. Add fuel until the fuel level reach the top of fuel filter (11b) to allow for expansion.

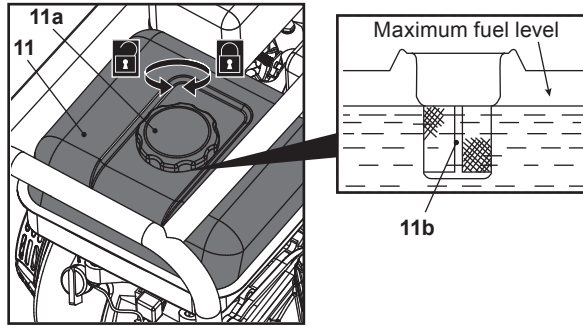


Fig. 5



NOTE: Petrol deteriorates over time. It may be difficult to start the engine if you use petrol which has been kept for more than 30 days.

Always empty the fuel tank when storing the product for over 30 days.

- Wipe any spilled fuel with a soft cloth and reattach the fuel tank cap.

Engine oil



WARNING! This product is not supplied with engine oil. However, for manufacturing reasons it is possible that a small quantity may be in the engine! Before operating this product it is essential to fill it with proper engine oil (see “Technical specifications”)!

- Unscrew and remove the engine oil dipstick (8) (Fig. 6).
- Gradually add good-quality 4-stroke engine oil (SAE10W-30). Use of a funnel with filter is recommended. Allow the oil to settle.
- Check the oil level frequently while filling. Wipe the engine oil dipstick clean; refit (but do not screw it in) and then remove it again. The oil level must be between the “H (High)” and “L (Low)” markings. Add more oil if necessary. Do not overfill, drain if necessary.

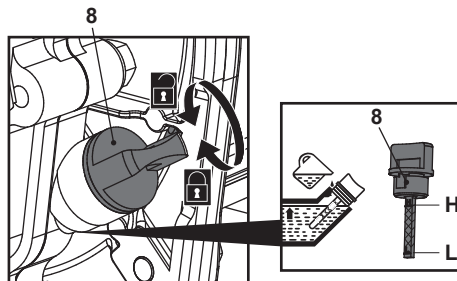
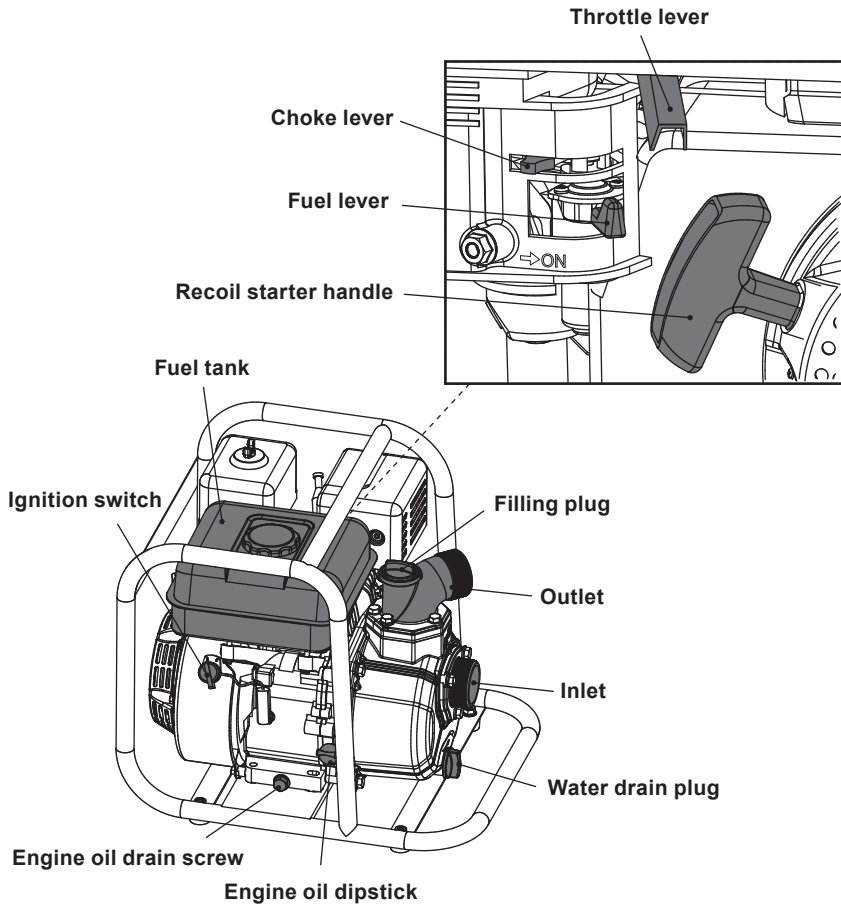


Fig. 6

- Wipe spilled oil with a soft cloth and screw the engine oil dipstick back.

Operating controls



Set up



Assemble



Priming the pump



Add petrol



Add engine oil

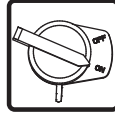
Cold start



Choke lever to the left (close)



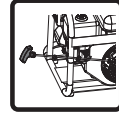
Fuel lever to the right (open)



Ignition switch to **ON**



Throttle lever to the middle



Pull recoil starter handle



Choke lever to the right (open)



Throttle lever at required position

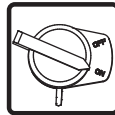
Warm start



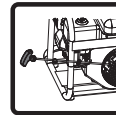
Choke lever to the right (open)



Fuel lever to the right (open)



Ignition switch to **ON**



Pull recoil starter handle

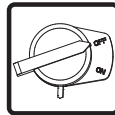


Throttle lever at required

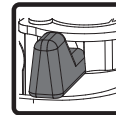
Stopping



Throttle lever to the right



Ignition switch to **OFF** until product completely stops



Fuel lever to the left (close)

Storage



Empty fuel tank



Drain oil



Clean and maintain



Store



WARNING! This quick start provides only a short overview of how to start and stop the product! For safe use it is essential to read the entire instruction manual before first use!

EN Functions & Settings

Intended Use

The 196 cm³ / 3.7 kW engine driven water pump is designated for pumping water.

With suitable accessories, the product can be used for drawing water from water reservoirs such as ponds or wells. The maximum water temperature may not exceed 40°C.

It is not designed to pump slurry, sludge, sand or mud. The pump is fitted with an open impellor. A suction strainer should always be mounted on the suction hose to ensure that large stones or debris etc are not sucked up into the pump body. Damage can result if large particles are drawn into the pump body.

The Max. flow rate depends on lengths of the hoses, suction height, lifting height and engine speed etc.

As lifting height increases, flow rate decreases.

Reduce suction height by placing the pump closer to water surface can provide shorter suction time and bigger flow rate.

For safety reasons, it is essential to read the entire instruction manual before first operation and to observe all the instructions therein.

Choke

- Move the choke lever (15) completely to the left to close the choke (Fig. 7a). Close the choke for cold start.
- Move the choke lever (15) completely to the right to open the choke (Fig. 7b). Open the choke for warm start and normal use.

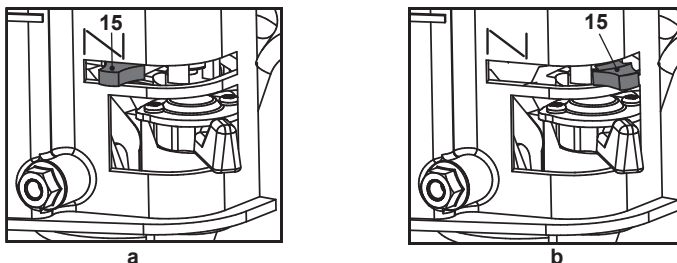


Fig. 7

Fuel lever

- Move the fuel lever (14) completely to the right to open the fuel channel (Fig. 8a).
- Move the fuel lever (14) completely to the left to close the fuel channel (Fig.8b).

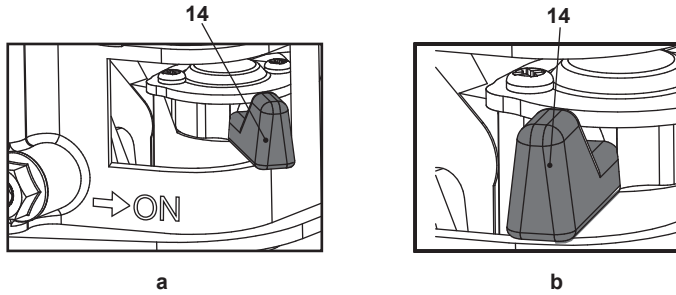


Fig. 8



NOTE: The fuel channel must be OPEN when the engine is used. Close the fuel channel when the engine is not used to prevent fuel leakage during storage or transportation.

Throttle lever

- Move the throttle lever (12) leftward to INCREASE the engine speed. (Fig. 9a).
- Move the throttle lever (12) rightward to DECREASE the engine speed. (Fig.9b).

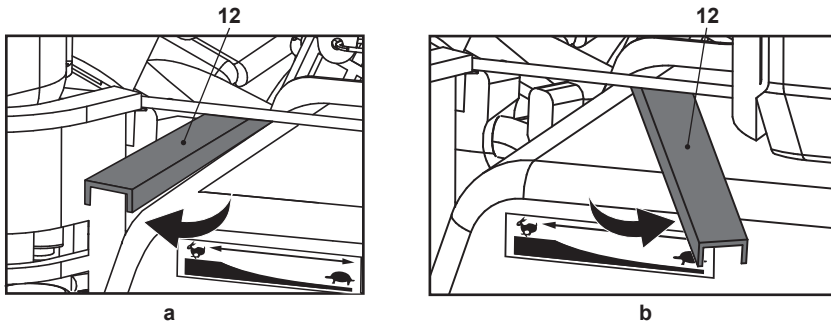


Fig. 9



NOTE: Speed of the engine can determine the output flow rate of the pump. Moving the throttle lever completely to the left of the pump provides max. output flow rate. For cold starting the engine, moving the throttle lever at the middle position is recommended.

Recoil starter

- The recoil starter handle (13) is positioned at the rear side of the engine unit.
- Pull the recoil starter handle (13) lightly until you feel resistance then pull it rapidly. Do it again until the engine starts (Fig. 10).

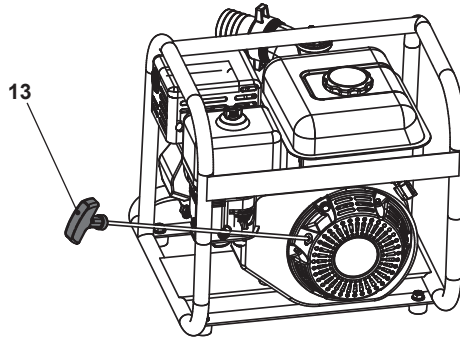


Fig. 10

Ignition switch

- Set the ignition switch (10) to ON position to start the product (Fig. 11a).
- Set the ignition switch (10) to OFF position to shut off the product (Fig. 11b).

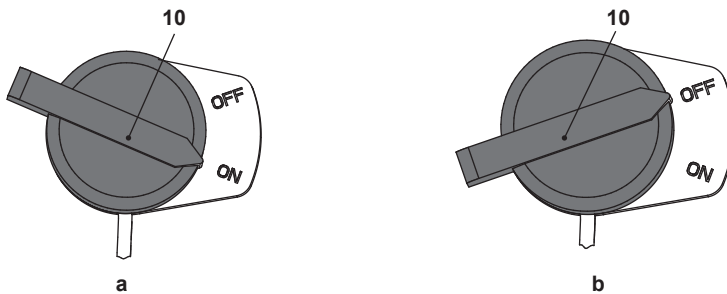


Fig. 11

EN Operation

General operation

- Check the product as well as accessories for damage before each use. Do not use the product if it is damaged or shows wear.
- Double check that the accessories and attachments are properly fixed.
- Check the fuel and engine oil level, refill if necessary.
- Fill the priming water before every using.
- This pump is designed to transfer clean water. Never attempt using this pump to deliver dirty water or slurry, or any inflammable or corrosive liquids.
- To prevent fire hazards, keep at least 1 meter of clearance on all sides of this machine during operation.
- Ensure that the air vents are always unobstructed and clear. Clean them if necessary with a soft brush. Blocked air vents may lead to overheating and damage the product.

- Switch the product off immediately if you are disturbed while working by other people entering the working area. Always let the product come to complete stop before averting.
- Do not overwork yourself. Take regular breaks to ensure you can concentrate on the work and have full control over the product.



WARNING! In some countries regulations define at what time of the day and on what special days products are allowed to be used and what restrictions apply! Ask your community for detailed information and observe the regulations in order to preserve a peaceful neighbourhood and avoid committing administrative offences!

Starting / Stopping

Cold start



WARNING! Prime the pump before starting the engine (refer to instructions of “priming the pump”)! “Dry” running the pump would damage the pump. Stop the engine or stop starting it when the pump is not primed by filling water yet.

- Move the choke lever (15) completely to the left to **CLOSE** choke.
- Move the fuel lever (14) completely to the right to **OPEN** fuel channel.
- Set the ignition switch (10) to **ON** position.
- Set the throttle lever (12) to middle position.
- Pull the recoil starter handle (13) lightly until you feel resistance then pull it rapidly. Do it again until the engine starts.



WARNING! Allow the rope to return slowly and in a controlled manner after each pull!

- Gradually move the choke lever (15) rightward to open choke as the engine warms up.
- Move the throttle lever (12) to required position.



NOTE: When moving the choke lever (15) rightward and the engine speed gets inconsistent, move the choke lever to middle position to allow additional time for warming up. After warming up, move the choke lever completely to the right to open choke.

Warm start

- Ensure the choke lever (15) is moved completely to the right (**OPEN**) position.
- Ensure the fuel lever is completely to the right (**OPEN**) position.
- Ensure the ignition switch (10) is moved to **ON** position.
- Pull the recoil starter handle (13) lightly until you feel resistance then pull it rapidly. Do it again until the engine starts.
- Move the throttle lever (12) to required position.



NOTE: If the engine does not start, the engine may be flooded. Flooding is caused by too much fuel mixture applied at the wrong time and can prevent a product from starting. Follow below procedure:

Remove the spark plug. Dry the spark plug. Pull the recoil starter handle (13) for several times to drain the fuel from the combustion chamber.

Wait until fuel vapours and refit the spark plug. Clean up any spilled fuel and move the product at least 3 metres (10') away before starting the engine to avoid any accidental fire. Wait the engine to cool down then start the product as described in section “Cold start”.

Stopping

- 1. Move the throttle lever (12) to **LOW** speed position.
- 2. Set the ignition switch (10) to **OFF** position.
- 3. Move the fuel lever (14) completely to the left (**CLOSE**) position.

After use

- Stop the product, disconnect the spark plug connector and let it cool down.
 - Check, clean and store the product as described below.
-

EN Care and maintenance

The golden rules for care



WARNING! Always switch the product off, disconnect the spark plug connector and let the product cool down before performing inspection, maintenance and cleaning work!

- Keep the product clean. Remove debris from it after each use and before storage.
- Regular and proper cleaning will help ensure safe use and prolong the life of the product.
- Inspect the product before each use for worn and damaged parts. Do not operate it if you find broken and worn parts.



WARNING! Only perform repairs and maintenance work according to these instructions! All further works must be performed by a qualified specialist!

General cleaning

- Clean the product with a dry cloth. Use a brush for areas that are hard to reach.
- In particular, clean the air vents after every use with a cloth and brush.
- Remove stubborn dirt with high pressure air (max. 3 bar).



NOTE: Do not use chemical, alkaline, abrasive or other aggressive detergents or disinfectants to clean this product as they might be harmful to its surfaces.

- Check for worn or damaged parts. Replace worn parts as necessary or contact an authorised service centre for repair before using the product again.

Maintenance

Before and after each use, check the product and accessories (or attachments) for wear and damage. If required, exchange them for new ones as described in this instruction manual. Observe the technical requirements.

Maintenance table

Inspect and maintain this product regularly based on below maintenance table.

Part	To do	Before / after each use	First month or 5 hours	Every 3 months or 25 hours	Every 6 months or 50 hours	Every year or 100 hours	Every 2 years or 250 hours
Engine oil	Check	X					
Engine oil	Replace		X		X		
Air filter	Check	X					
Air filter	Clean			X			
Air filter	Replace						X
Spark plug	Check/ Adjust					X	
Spark plug	Clean			X			
Spark plug	Replace						X
Fuel tank and filter	Clean					X	

Air filter

Wash the air filter every 25 hours (if too dusty, every 10 hours) with clear water and dry it. Dip the air filter into clean machine oil if necessary. It can be used after superfluous oil is eliminated.

Inspect the air filter regularly. Replace it with a new one if necessary (Fig. 12).

- Loosen and remove the wing nut (1a) and washer (1b) to open the air filter case (1). Do not remove the air filter case seal (1f).
- Remove the air filter frame (1d). Take out the air filter (1c) and tap it on a solid surface to remove dust.
- Apply a small amount of air filter oil on the filter (1c) to increase the performance of the filter. Wring out surplus oil, put the air filter frame and filter onto the base (1g).
- Re-attach the air filter case (1) and secure it with the wing nut (1a) and washer (1b).

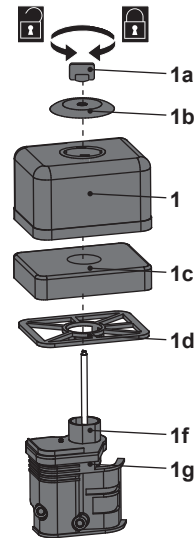


Fig. 12

Spark plug

Inspect the spark plug every 100 hours or prior to long-term storage over 30 days if the use has not been this high. Clean or replace with a new one if necessary.

- Disconnect the spark plug connector (17) (Fig. 13).
- Loosen the spark plug anticlockwise using the spark plug wrench (24) and remove it carefully.

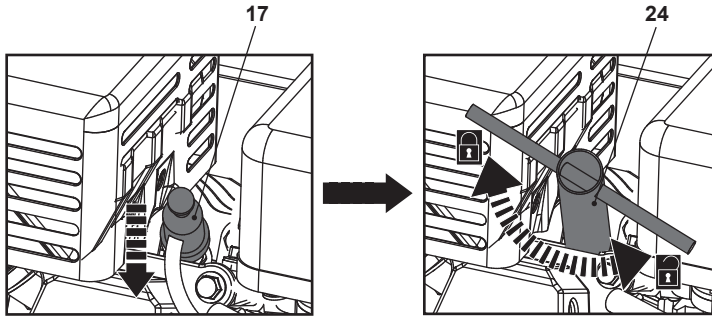


Fig. 13

- Check the spark plug for damage and wear. The colour of the electrode should be light-brown coloured.
- Remove debris from the electrode with a soft wired brush; avoid heavy cleaning of the electrode.
- Dry the spark plug with a soft cloth, if it is wet from fuel.
- Check the spark plug gap. It should be 0.5 – 0.7 mm (Fig. 14).

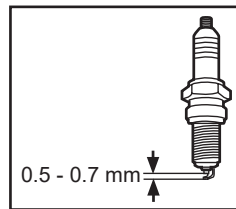


Fig. 14

- Replace with a new spark plug if either the electrode or the insulation is damaged.
- When replacing the spark plug, first screw it in hand tight and then lightly tighten it with the spark plug wrench.



WARNING! Do not over tighten the spark plug to avoid any damage!

Fuel



NOTE: Petrol deteriorates over time. Engine starting may be difficult if you use petrol kept for more than 30 days. Do not reuse any fuel that has been removed. Always empty the fuel tank when storing over 30 days.

- Empty the fuel tank (11) when storing the product over 30 days to prevent the fuel deteriorating.
- Place a suitable container under the carburetor (16) to collect drained fuel.
- Unscrew the fuel drain screw (16a), move the fuel lever (14) to its on position and let the fuel run into the container (Fig. 15).
- Screw the fuel drain screw back in and tighten it.
- Wipe spilled fuel up.
- Before re-use, refill the fuel tank as described in to section “**Fuel and engine oil – Fuel.**”

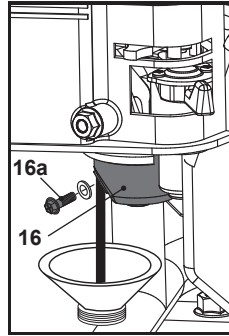


Fig. 15

Engine oil

i **NOTE:** Check the engine oil level and quality before each use and after every 50 hours of operation to be sure correct engine oil level is maintained.

Check

- Unscrew and remove the engine oil dipstick (8).
- Wipe the engine oil dipstick clean; refit (but not screw it in) and then remove it again. The engine oil level must be between the “H (High)” and “L (Low)” markings (Fig. 6).
- Refill if the engine oil level is too low.
- Drain engine oil if the engine oil level is too high.
- The engine oil should be clear and thick. If the engine oil is sticky or contains dirt particles, the engine oil must be changed.

Change

i **NOTE:** We strongly recommend jacking the product up or emptying the fuel tank firstly. Avoid tilting the product in order to prevent fuel and engine oil leakages.

Warm up the engine and drain the oil to assure rapid and complete draining.

- Loosen and remove the engine oil drain screw (9) to empty the engine oil into a suitable container. (Fig. 16).
- Screw the engine oil drain screw (9) back in and tighten it.
- Wipe spilled oil up.
- Refill the oil tank as described in section “Before you start - Fuel and engine oil – Engine oil”.

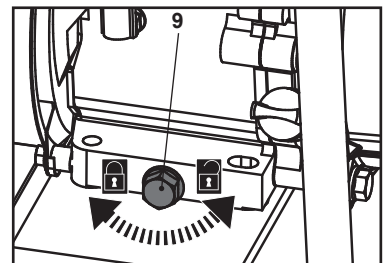


Fig. 16

i **NOTE:** Alternatively use an oil pump to remove the engine oil. Insert the hose to the dipstick tube. Follow the instructions of the pump.

Drain water

- Loosen and remove the water drain plug (6) to empty the remaining water in the pump head (7) into a suitable container (Fig. 17).

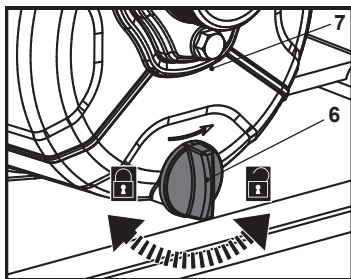


Fig. 17

Carburettor

- The carburettor is pre-set by the manufacturer. Should it be necessary to make any changes, please contact an authorised service centre or a similarly qualified person. Do not attempt to make any adjustments by yourself.

Muffler

- If it be necessary to modify or replace the muffler, please contact an authorised service centre or a similarly qualified person.

Repair

- This product does not contain any parts that can be repaired by the consumer. Contact an authorised service centre or a similarly qualified person to have it checked and repaired.
- Contact an authorised dealer or through our customer service for spare parts information.

Storage

- Switch the product off and disconnect the spark plug connector (17).
- Clean the product as described above.
- Store the product and its accessories in a dark, dry, frost-free, well-ventilated place.
- Always store the product in a place that is inaccessible to children. The ideal storage temperature is between 10 °C and 30 °C.
- We recommend using the original package for storage or covering the product with a suitable cloth or enclosure to protect it against dust.
- Drain remaining water in the pump head before storage.

Transportation

- Switch the product off and disconnect the spark plug connector (17).
- Disconnect the hose from the product.
- Always carry the product by its frame (18).
- Protect the product from any heavy impact or strong vibrations which may occur during transportation in vehicles.
- Secure the product to prevent it from slipping or falling over, loss of fuel, damage and injury.

Troubleshooting

Suspected malfunctions are often due to causes that the users can fix themselves. Therefore check the product using this section. In most cases the problem can be solved quickly.



WARNING! Only perform the steps described within these instructions! All further inspection, maintenance and repair work must be performed by an authorised service centre or a similarly qualified specialist if you cannot solve the problem yourself!

Problem	Possible cause	Solution
1. Engine does not start	1.1. Not enough fuel in fuel tank	1.1. Add fuel
	1.2. Not enough engine oil	1.2. Add engine oil
	1.3. Ignition switch not on "ON" position	1.3. Set ignition switch to "ON" position
	1.4. Fuel lever not on "OPEN" position	1.4. Set fuel lever to "OPEN" position
	1.5. Spark plug is wet	1.5. Dry spark plug
	1.6. Spark plug is damaged	1.6. Replace spark plug
	1.7. Spark plug connector loose	1.7. Attach properly
	1.8. Air filter is dirty	1.8. Clean air filter
	1.9. Spark plug loose	1.9. Tighten spark plug 25 - 30 Nm
	1.10. Spark plug gap is incorrect	1.10. Set gap between electrodes at 0.5 – 0.7 mm
	1.11. Carburettor is flooded with fuel	1.11. Remove air filter and pull recoil starter handle continuously until carburettor clears itself and install air filter
	1.12. Faulty ignition module	1.12. Contact specialist
	1.13. Choke is not correctly set	1.13. For cold starting, set choke at CLOSE ; for warm starting or normal running, set choke at OPEN
	1.14. Dirt, water or stale fuel in the fuel tank	1.14. Drain fuel and clean fuel tank. Fill tank with clean, fresh fuel
2. Engine stops	2.1. Not enough fuel in fuel tank	2.1. Add fuel
	2.2. Air filter is dirty	2.2. Clean or replace air filter
3. Engine difficult to start or loses power	3.1. Dirt, water or stale fuel in the tank	3.1. Drain fuel and clean tank. Fill tank with clean, fresh fuel
	3.2. Vent hole in fuel tank cap is clogged	3.2. Clean or replace fuel tank cap
	3.3. Air filter is dirty	3.3. Clean air filter

Problem	Possible cause	Solution
4. Engine operates erratically	4.1. Spark plug is defective	4.1. Replace spark plug
	4.2. Spark plug gap is incorrect	4.2. Set gap between electrodes at 0.5 – 0.7 mm
	4.3. Air filter is dirty	4.3. Clean air filter
5. Engine idles poorly	5.1. Air filter is dirty	5.1. Clean air filter
	5.2. Air vents are clogged	5.2. Remove debris from vents
6. Engine skips at high speed	6.1. Gap between electrodes of spark plug is too close	6.1. Set gap between electrodes at 0.5 – 0.7 mm
7. Engine overheats	7.1. Air vents are clogged	7.1. Remove debris from vents
	7.2. Incorrect spark plug	7.2. Install correct spark plug
8. Pump does not pump water	8.1. No priming water	8.1. Fill priming water
	8.2. Strainer is clogged	8.2. Clean the strainer
	8.3. Hose clamp loosened	8.3. Tighten the hose clamp
	8.4. Suction hose damaged	8.4. Change the suction hose
	8.5. Suction head too high	8.5. Reduce the suction head
	8.6. Strainer is not completely sinking into water	8.6. Strainer should sink into water completely
	8.7. The engine speed is too low	8.7. Set throttle lever at high speed position

Recycling and disposal



Old products are potentially recyclable and do not, therefore, belong in your household rubbish. You are requested to assist us and our contribution to saving resources and protecting the environment by handing in this appliance at an equipped collection centre (if there is one available).

Petrol, oil, used oil, mixtures of oil and petrol and objects contaminated with oil, e. g. cleaning cloths; do not belong with household waste. Dispose of oil-contaminated items in accordance with the local guidelines and hand them in at recycling centres.

The product comes in a package that protects it against damage during shipping. Keep the package until you are sure that all parts have been delivered and the product is working properly. Recycle the package afterwards.

EN Guarantee

We take special care to select high quality materials and use manufacturing techniques that allow us to create products incorporating design and durability. This product has a manufacturer's guarantee of 2 years against manufacturing defects, from the date of purchase (if bought in store) or date of delivery (if bought online), at no additional cost for normal (non-professional or commercial) household use.

To make a claim under this guarantee, you must present your proof of purchase (such as a sales receipt, purchase invoice or other evidence admissible under applicable law), please keep your proof of purchase in a safe place. For this guarantee to apply, the product you purchased must be new, it will not apply to second hand or display products. Unless stated otherwise by applicable law, any replacement product issued under this guarantee will only be guaranteed until expiry of the original period guarantee period.

This guarantee covers product failures and malfunctions provided the product was used for the purpose for which it is intended and subject to installation, cleaning, care and maintenance in accordance with the information contained in these terms and conditions, in the user manual and standard practice, provided that standard practice does not conflict with the user manual.

This guarantee does not cover defects and damage caused by normal wear and tear or damage that could be the result of improper use, faulty installation or assembly, neglect, accident, misuse, or modification of the product. Unless stated otherwise by applicable law, this guarantee will not cover, in any case, ancillary costs (shipping, movement, costs of uninstalling and reinstalling, labour etc), or direct and indirect damage.

This guarantee does not cover defects and damage caused by or resulting from:

- Normal wear and tear
- Overload, misuse or neglect
- Repairs attempted by anyone other than an authorised agent
- Cosmetic damage
- Damage caused by foreign objects, substances or accidents
- Accidental damage or modification
- Failure to follow manufacturer's guidelines
- Loss of use of the goods

If the product is defective, we will, within a reasonable time, repair, replace or provide spare parts.

Rights under this guarantee are enforceable in the country in which you purchased this product. Guarantee related queries should be addressed to the store you purchased this product from.





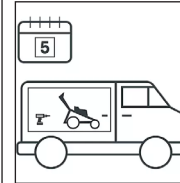
The guarantee is in addition to and does not affect your statutory rights.

Customer care and technical helpline

A better way to repair your tools

Kingfisher takes special care in creating high-quality garden power tools that are designed to last. But if a fault develops with your garden power tool and you need to claim under the guarantee, the Customer Care and Technical Helpline can support with technical assistance or if required, arrange a free courier collection from your home, assess your garden power tool for fault, repair it, and return it.

Deciding to repair your product rather than buying a replacement and adding to the mountain of waste is a more sustainable choice and you will be doing your bit for the environment.

How does it work?				
				
Step 1	Step 2	Step 3	Step 4	Step 5
Find your proof of purchase and get in touch with the Customer Care and Technical Helpline.	Chat to them about the problem with your tool.	They will provide technical and user advice or alternatively arrange a courier collection from your home*.	The team will access and test and if necessary, repair your product back to full working order.	Your repaired tool will be returned to you via courier within 5 working days.



*** NOTE:** Before collection, all fuel must be removed from petrol powered machines.

Get in touch

If you need help or more information, please contact the Customer Care and Technical Helpline:

UK: 0800 0789647

EIRE: 1800 932226

Opening hours are Monday – Friday, 8am-5pm

Availability of spare parts

Contact the customer service helpline for assistance or visit www.kingfishersparses.com

For assistance contact the customer services helpline:

UK: 0800 0789647 uk@Kingfisherservice.com

EIRE: 1800 932226 eire@kingfisherservice.com

Further information about this product can also be found at:

www.kingfisher.com/products



(EN) EU DECLARATION OF CONFORMITY
(FR) DÉCLARATION UE DE CONFORMITÉ
(PL) DEKLARACJA ZGODNOŚCI UE
(RO) DECLARAȚIA DE CONFORMITATE UE
(ES) DECLARACIÓN UE DE CONFORMIDAD
(PT) DECLARAÇÃO DE CONFORMIDADE UE

Product/ Produit/ Produkt/Produsul/Producto/Produto

- 196 cm³ Water pump / Pompe à eau / Pompa wodna / Pompă de apă / Bomba de agua / Bomba de água
- TT196PWP
- 196 cm³, 3.7kW, 30 m³/h
- 000001 - 999999

Name and address of the manufacturer or his authorised representative:

Nom et adresse du fabricant ou de son mandataire:

Nazwa i adres producenta lub jego upoważnionego przedstawiciela:

Denumirea și adresa producătorului sau a reprezentantului său autorizat:

Nombre y dirección del fabricante o de su representante autorizado:

Nome e endereço do fabricante ou do respetivo mandatário:

Kingfisher International Products B.V.,
Rapenburgerstraat 175E,
1011 VM Amsterdam,
The Netherlands

This declaration of conformity is issued under the sole responsibility of the manufacturer.

La présente déclaration de conformité est établie sous la seule responsabilité du fabricant.

Niniejsza deklaracja zgodności wydana zostaje na wyłączną odpowiedzialność producenta.

Prezenta declarație de conformitate este emisă pe răspunderea exclusivă a producătorului.

La presente declaración de conformidad se expide bajo la exclusiva responsabilidad del fabricante.

A presente declaração de conformidade é emitida sob a exclusiva responsabilidade do fabricante.

Object of the declaration/Objet de la declaration/Przedmiot deklaracji/Obiectul declarației/Objeto de la declaración/Objeto da declaração

**Product/Produit/Produkt/Produsul/
Producto/ Produto**

**Model/Modèle/Model/Modelul/
Modelo/Modelo**

EAN

196 cm³ Water pump / Pompe à eau / Pompa wodna / Pompă de apă / Bomba de agua / Bomba de água

TT196PWP

5063022023292

The object of the declaration described above is in conformity with the relevant Union harmonisation legislation:

L'objet de la déclaration décrit ci-dessus est conforme à la législation d'harmonisation de l'Union applicable:

Wymieniony powyżej przedmiot niniejszej deklaracji jest zgodny z odnośnymi wymaganiami unijnego prawodawstwa harmonizacyjnego:

Obiectul declarației descris mai sus este în conformitate cu legislația relevantă de armonizare a Uniunii:

El objeto de la declaración descrita anteriormente es conforme con la legislación de armonización pertinente de la Unión:

O objeto da declaração acima descrito está em conformidade com a legislação de harmonização da União aplicável:

2006/42/EC as amended Machinery Directive
 2014/30/EU as amended Directive Electromagnetic compatibility
 2000/14/EC as amended Outdoor Noise Directive
 2016/1628/EU Regulation Gaseous and Particulate Pollutant Emission Limits
 2011/65/EU as amended Directive Restriction of the use of certain hazardous substances in electrical and electronic equipment
 Directive 2006/42/CE relative aux machines
 2014/30 / UE telle que modifiée Directive Compatibilité électromagnétique
 Directive 2000/14/CE relative aux émissions sonores extérieures
 Règlement (UE) 2016/1628 relatif aux exigences concernant les limites d'émission pour les gaz polluants et les particules polluantes
 Directive 2011/65/UE relative à la limitation de l'utilisation de certaines substances dangereuses dans les équipements électriques et électroniques
 2006/42/WE w zmienionej dyrektywie maszynowej
 2014/30 / UE ze zmianami Dyrektywa Kompatybilność elektromagnetyczna
 2000/14/WE w zmienionej dyrektywie w sprawie hałasu na zewnątrz
 2016/1628/UE limity emisji zanieczyszczeń gazowych i cząstek stałych
 2011/65 / UE ze zmianami Dyrektywa Ograniczenie stosowania niektórych niebezpiecznych substancji w sprzęcie elektrycznym i elektronicznym
 2006/42/CE, astfel a fost modificată Directiva privind echipamentele
 2014/30/UE, astfel a fost modificată Directiva privind compatibilitatea electromagnetică
 2000/14/CE, astfel a fost modificată Directiva privind zgomotul în aer liber
 2016/1628/UE Regulamentul privind emisiile de poluanți gazoși și de particule poluante
 2011/65/UE, astfel a fost modificată Directiva privind limitarea utilizării anumitor substanțe periculoase în echipamentele electrice și electronice
 Directiva sobre maquinaria modificada 2006/42/CE
 2014/30/UE modificada Directiva Compatibilidad electromagnética
 2000/14/CE modificada Directiva sobre ruido al aire libre
 2016/1628/Reglamento de la UE Límites de emisiones de contaminantes gaseosos y partículas
 2011/65/UE modificada Directiva Restricción del uso de determinadas sustancias peligrosas en equipos eléctricos y electrónicos
 2006/42/CE como diretiva de máquinas alteradas
 2014/30/UE como alteração da compatibilidade eletromagnética
 2000/14/CE como diretiva de ruído exterior alterada
 Límites de emisión de poluentes gaseosos e de poluentes de partículas 2016/1628/REGULAMENTO da UE
 2011/65/UE como restrição diretiva alterada da utilização de certas substâncias perigosas em equipamentos elétricos e eletrônicos

Measured Sound Power Level
 Le niveau de puissance acoustique mesuré
 Zmierzony poziom mocy akustycznej
 Nivel de putere acustică măsurat
 Nivel de potencia sonora medido
 Nível de potência sonora medido
 : 89 dB(A)
 Engine Model
 Modèle de moteur
 Model silnika
 Modelul motorului
 Modelo de motor
 Modelo de motor
 : G200

Guaranteed Sound Power Level
 Le niveau de puissance acoustique garant
 Gwarantowany poziom mocy akustycznej
 Nivel de putere acustică garantat
 Nivel de potencia sonora garantizado
 Nível de potência sonora garantido
 : 106 dB(A)

References to the relevant harmonised standards used or references to the other technical specifications in relation to which conformity is declared:

Références des normes harmonisées pertinentes appliquées, y compris la date de celles-ci, ou des autres spécifications techniques, y compris la date de celles-ci, par rapport auxquelles la conformité est déclarée:

Odwołania do odnośnych norm zharmonizowanych, które zastosowano, wraz z datą normy, lub do innych specyfikacji technicznych, wraz z datą specyfikacji, w odniesieniu do których deklarowana jest zgodność: Trimiteri la standardele armonizate relevante folosite, inclusiv data standardului, sau trimiteri la celelalte specificații tehnice, inclusiv data specificațiilor, în legătură cu care se declară conformitatea:

Referencias a las normas armonizadas pertinentes utilizadas, incluidas las fechas de las normas, o referencias a las otras especificaciones técnicas, incluidas las fechas de las especificaciones, respecto a las cuales se declara la conformidad:

Referências às normas harmonizadas aplicáveis utilizadas, incluindo a data da norma, ou às outras especificações técnicas, incluindo a data da especificação, em relação às quais é declarada a conformidade:

EN 809:1998/A1:2009

EN ISO 14982 2009

Authorised signatory and technical file holder/signataire et responsable de la documentation technique autorisé/ podmiot uprawniony do wystawienia i adres przechowywania dokumentacji technicznej/ semnatar autorizat și deținător al dosarului tehnic/firmante autorizado y titular del expediente tecnico/ signatário autorizado e detentor da ficha técnica

Kingfisher International Products B.V.,
Rapenburgerstraat 175E,
1011 VM Amsterdam,
The Netherlands



David Awe
Group Quality Director

: 09/12/2023

**UK
CA**
(UK) DECLARATION OF CONFORMITY

Product

- 196 cm³ Water Pump
- TT196PWP
- 196 cm³, 3.7kW, 30 m³/h
- 000001 - 999999

Name and address of the manufacturer or his authorised representative:

**Kingfisher International Products Limited,
1 Paddington Square, London, W2 1GG,
United Kingdom**

This declaration of conformity is issued under the sole responsibility of the manufacturer.

Object of the declaration

Product	Model	EAN
196 cm³ Water Pump	TT196PWP	5063022023292

The object of the declaration described above is in conformity with the relevant legislation:

Supply of Machinery (Safety) Regulations 2008 as amended
 Noise Emission in the Environment by Equipment for Use Outdoors Regulations 2001 as amended
 The Non-Road Mobile Machinery (Type-Approval and Emission of Gaseous and Particulate Pollutants) Regulations 2018 as amended
 Electromagnetic Compatibility Regulations 2016 as amended
 The Restriction of the use of Certain Hazardous Substances in Electrical and Electronic Equipment Regulations 2012 as amended
 Measured Sound Power Level: 88.7 dB(A)
 Guaranteed Sound Power Level: 106 dB(A)
 Engine Model: G200

References to the relevant designated standards used or references to the other technical specifications in relation to which conformity is declared:

EN 809:1998+A1:2009
 EN 809:1998+A1:2009/AC:2010
 EN ISO 14982: 2009



Authorised signatory and technical file holder:
 Kingfisher International Products Limited,
 1 Paddington Square, London, W2 1GG,
 United Kingdom

David Awe
 Group Quality Director

On [15/12/2023]

Manufacturer:

UK Manufacturer:

Kingfisher International Products Limited,
1 Paddington Square, London, W2 1GG,
United Kingdom

EU Manufacturer:

Kingfisher International Products B.V.,
Rapenburgerstraat 175E,
1011 VM Amsterdam,
The Netherlands

EN www.diy.com
www.screwfix.com
www.screwfix.ie

**To view instruction manuals online,
visit www.kingfisher.com/products**